



NEW FLYER®

**INFRASTRUCTURE
SOLUTIONS™**

Charger Catalog

March 2020

Explore what Infrastructure Solutions can do for you.
Contact infrastructuresolutions@newflyer.com for details.

newflyer.com/infrastructuresolutions



Index

Plug-In Chargers

ABB.....	3
ChargePoint.....	5
Siemens.....	6
Efacec.....	7

Opportunity Chargers

ABB.....	8
Siemens.....	9

NEW FLYER®

**INFRASTRUCTURE
SOLUTIONS™**

Contact infrastructuresolutions@newflyer.com for details.

newflyer.com/infrastructuresolutions

Plug-in Chargers



HVC-C 100 & 150 KW



MODEL

	HVC-C	HVC-C
Power Output (kW)	100 kW	150 kW
Max Output Current	166A	200A
Voltage Range	150-850 VDC	150-850 VDC
Operating Temperature (C°)	-10 to 50 (C°) (Standard) -35 to 50 (C°) (Optional)	-10 to 50 (C°) (Standard) -35 to 50 (C°) (Optional)
Outdoor Rated	Yes	Yes
User Interface	N/A	N/A
Remote Monitoring	Optional	Optional
Charge Protocol	SAE J1772 OCPP 1.6	SAE J1772 OCPP 1.6
Connector Type	CCS Type 1	CCS Type 1
Cord Length	3.5 meters (std) (11.5 feet) 7 meters (opt) (22.9 feet)	3.5 meters (std) (11.5 feet) 7 meters (opt) (22.9 feet)
Dispenser Holster Mounting	Remote Pedestal/Wall Mounted	Remote Pedestal/Wall Mounted
Number of Remote Dispensers	Up to 3	Up to 3
Dimensions (Inches)	Cabinet: 82.36" x 46.06" x 30.31" Dispenser: 27.52" x 9.44" x 6.65"	Cabinet: 82.36" x 46.06" x 30.31" Dispenser: 27.52" x 9.44" x 6.65"
Weight (kg)	Cabinet: 1,340 kg Dispenser: 65kg (w/ 7m cable) 45kg (w/o cable) 55kg (w/ 3.5m cable)	Cabinet: 1,340 kg Dispenser: 65kg (w/ 7m cable) 45kg (w/o cable) 55kg (w/ 3.5m cable)
Buy-America Compliant	Yes	Yes
Certified	UL/CSA	UL/CSA

Plug-in Chargers



MODEL

Power Output (kW)	50 kW
Max Output Current	125A
Voltage Range	150-920 VDC
Operating Temperature (C°)	-35 to 55 (C°)
Outdoor Rated	Yes
User Interface	Yes
Remote Monitoring	Optional
Charge Protocol	SAE J1772 OCPP 1.6
Connector Type	CCS Type 1
Cord Length	3.9 meters (std) (12.8 feet) 6 meters (opt) (22.9 feet)
Dispenser Holster Mounting	Cabinet Mounted
Number of Remote Dispensers	N/A
Dimensions (Inches)	48" x 32" x 85"
Weight (kg)	375 kg
Buy-America Compliant	No
Certified	CSA/UL

TERRA 54HV

Power Output (kW)	50 kW
Max Output Current	125A
Voltage Range	150-920 VDC
Operating Temperature (C°)	-35 to 55 (C°)
Outdoor Rated	Yes
User Interface	Yes
Remote Monitoring	Optional
Charge Protocol	SAE J1772 OCPP 1.6
Connector Type	CCS Type 1
Cord Length	3.9 meters (std) (12.8 feet) 6 meters (opt) (22.9 feet)
Dispenser Holster Mounting	Cabinet Mounted
Number of Remote Dispensers	N/A
Dimensions (Inches)	48" x 32" x 85"
Weight (kg)	375 kg
Buy-America Compliant	No
Certified	CSA/UL



TERRA 54HV 50 KW

Plug-in Chargers



MODEL

Power Output (kW)	Single Station Output: 62.5 kW When Paired: 125 kW
Max Output Current	Single Station: 156A Paired Station: 200A
Voltage Range	200 - 1000 VDC
Operating Temperature (C°)	-30 to 50 (C°)
Outdoor Rated	Yes: NEMA3R IP54
User Interface	10" LCD
Remote Monitoring	Included with Cloud Service
Charge Protocol	SAE J1772 OCPP 1.6
Connector Type	CCS Type 1
Cord Length (feet)	12.5 feet (3.8 meters)
Dispenser Holster Mounting	Cabinet Mounted
Number of Remote Dispensers	N/A
Dimensions (inches)	88" x 46" x 17"
Weight (kg)	Standard: 250 kg With Power Modules: 340 kg
Buy-America Compliant	Yes
Certified	Yes

CPE250



CPE250

Plug-in Chargers



VERSICHARGE™ MAXXHP

SIEMENS

MODEL

Power Output (kW)	150 kW
Max Output Current	200A
Voltage Range	500-800 VDC
Operating Temperature (C°)	-25 to 50 (C°)
Outdoor Rated	IP54/NEMA 3R
User Interface	7" Touch Display
Remote Monitoring	Available
Charge Protocol	SAE J1772 OCPP 1.6
Connector Type	CCS Type 1
Cord Length (Meters)	7.62 meters (25 feet)
Dispenser Holster Mounting	Pedestal Mounted/Wall Mounted
Number of Remote Dispensers	Up to 4
Footprint (Inches)	55.1" x 43.2"
Dimensions (Inches)	77.9" x 49" x 79.3"
Weight (kg)	2,395 kg
Buy-America Compliant	Yes
Certified	NRTL Field Inspected for UL Compliance until UL Certification is completed. UL Certification is pending.

VERSICHARGE™ MAXXHP

Plug-in Chargers



EV QVC 90 B



EV QVC 150 B



HV175



MODEL

Power Output (kW)
Max Output Current
Voltage Range
Operating Temperature (C°)
Outdoor Rated
User Interface
Remote Monitoring
Charge Protocol
Connector Type
Cord Length (Feet)
Dispenser Holster Mounting
Number of Remote Dispensers
Dimensions (Inches)
Weight (kg)
Buy-America Compliant
Certified

EV QVC 90

90 kW
 120A
 250-750 VDC
 -25 to 50 (C°) (Standard)
 -35 to 50 (C°) (Optional)
 Yes
 6.4" TFT
 Optional
 SAE J1772
 OCPP 1.6
 CCS Type 1
 12 feet (3.66 meters)
 1
 N/A
 70.9" x 31.5" x 31.5"
 775 kg
 No
 UL Field

EV QVC 150

150 kW
 200A
 250-750 VDC
 -25 to 50 (C°) (Standard)
 -35 to 50 (C°) (Optional)
 Yes
 6.4" TFT
 Optional
 SAE J1772
 OCPP 1.6
 CCS Type 1
 12 feet (3.66 meters)
 1
 N/A
 70.9" x 39.4" x 31.5"
 1,000 kg
 No
 UL Field

HV175

175 kW
 200A
 250-920 VDC
 -25 to 50 (C°) (Standard)
 -35 to 50 (C°) (Optional)
 Yes
 6.4" TFT
 Optional
 SAE J1772
 OCPP 1.6
 CCS Type 1
 12 feet (3.66 meters)
 1
 N/A
 74.5" x 40" x 32"
 1,098 kg
 No
 UL Field

Opportunity Chargers



HVC-P 150



HVC-P 300



HVC-P 450

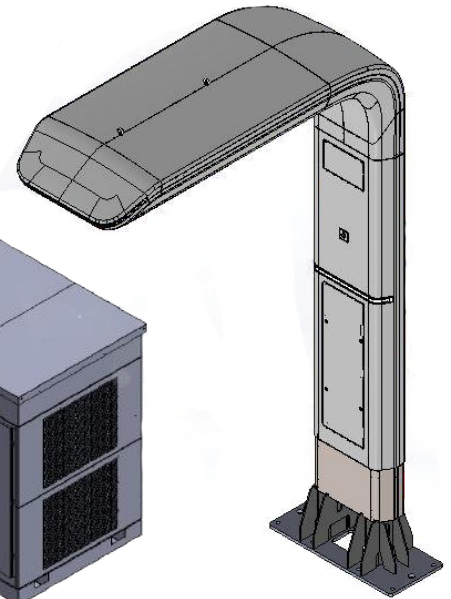
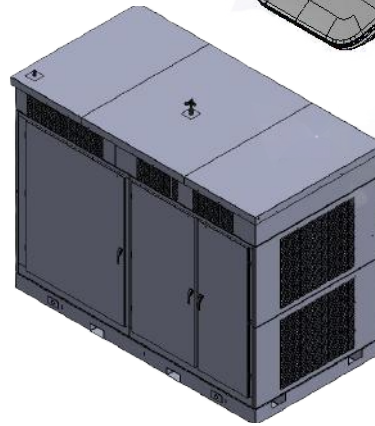
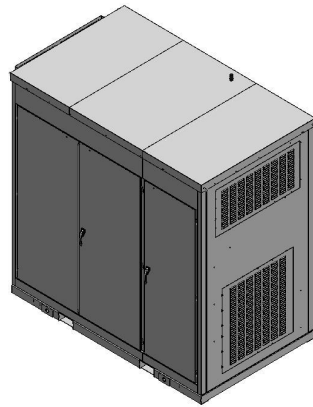


MODEL

	HVC-P	HVC-P	HVC-P
Power Output (kW)	150 kW	300 kW	450 kW
Max Output Current	250A	500A	600A (limited by pantograph)
Voltage Range	150-850 VDC	150-850 VDC	150-850 VDC
Operating Temperature (C°)¹	-35 to 45(C°)	-35 to 45 (C°)	-35 to 45 (C°)
Outdoor Rated	Yes	Yes	Yes
User Interface	N/A	N/A	N/A
Remote Monitoring	Optional	Optional	Optional
Charge Protocol	SAE J3105 IEC 61851-23-1 OCPP 1.6	SAE J3105 IEC 61851-23-1 OCPP 1.6	SAE J3105 IEC 61851-23-1 OCPP 1.6
Max Distance to Cabinet Overhead	20 m (standard) (65.6 feet) 150 m (optional) (492.1 feet)	20 m (standard) (65.6 feet) 150 m (optional) (492.1 feet)	20 m (Standard) 150 m (Optional)
Dimensions (Inches)	Cabinet: 82.36" x 46.06" x 30.31" Mast: 206.3" x 183.8"	Cabinet: 82.36" x 46.06" x 30.31" Mast: 206.3" x 183.8"	Cabinet: 82.36" x 46.06" x 30.31" Mast: 206.3" x 183.8"
Weight (kg)	Cabinet: 1,340 kg Mast: 1,706 kg	Cabinet: 2,680 kg Mast: 1,706 kg	Cabinet: 4,020 kg Mast: 1,706 kg
Origin	Cabinet: Italy/ USA Mast: Netherlands	Cabinet: Italy/ USA Mast: Netherlands	Cabinet: Italy/USA Mast: Netherlands
Buy-America Compliant	Yes	Yes	Yes
Certified²	UL/CSA	UL/CSA	UL/CSA

¹ Low temperature package has to be selected for this temperature rating
² The ACM/cabinet are UL/CSA certified. Pantograph is certified on site.

Opportunity Chargers



SIEMENS

V2.1 COMPACT CHARGER 300

V2.1 COMPACT CHARGER
450 & 600

SIEMENS MAST

MODEL

Power Output (kW)	450 kW ¹
Max Output Current	600A
Voltage Range	200-1000 VDC
Operating Temperature (C°)	-25 to 45 (C°)
Outdoor Rated	Yes
User Interface	N/A
Remote Monitoring	Optional
Charge Protocol	SAE J3105 OCPP 1.6 J
Max Distance to Cabinet Overhead	100 m (328 feet)
Dimensions (Inches)	Cabinet: 94.8" W x 61.6" D x 84" H Mast: 228.6" x 149.22"
Weight (kg)	Cabinet: 4,990 kg Mast: 1,996 kg
Origin	USA
Buy-America Compliant	Yes
Certified	NRTL Field Inspected for UL Compliance

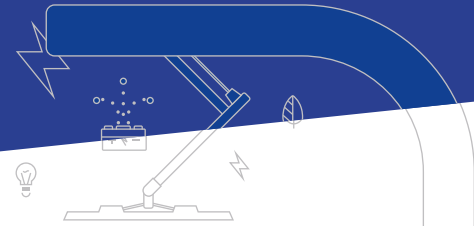
V2.1 COMPACT CHARGER

Power Output (kW)	450 kW ¹
Max Output Current	600A
Voltage Range	200-1000 VDC
Operating Temperature (C°)	-25 to 45 (C°)
Outdoor Rated	Yes
User Interface	N/A
Remote Monitoring	Optional
Charge Protocol	SAE J3105 OCPP 1.6 J
Max Distance to Cabinet Overhead	100 m (328 feet)
Dimensions (Inches)	Cabinet: 94.8" W x 61.6" D x 84" H Mast: 228.6" x 149.22"
Weight (kg)	Cabinet: 4,990 kg Mast: 1,996 kg
Origin	USA
Buy-America Compliant	Yes
Certified	NRTL Field Inspected for UL Compliance

V2.1 COMPACT CHARGER

Power Output (kW)	600 kW
Max Output Current	800A
Voltage Range	200-1000 VDC
Operating Temperature (C°)	-25 to 45 (C°)
Outdoor Rated	Yes
User Interface	N/A
Remote Monitoring	Optional
Charge Protocol	SAE J3105 OCPP 1.6 J
Max Distance to Cabinet Overhead	100 m (328 feet)
Dimensions (Inches)	Cabinet: 94.8" W x 61.6" D x 84" H Mast: 228.6" x 149.22"
Weight (kg)	Cabinet: 4,990 kg Mast: 1,996 kg
Origin	USA
Buy-America Compliant	Yes
Certified	NRTL Field Inspected for UL Compliance

¹ 300kW charger available upon request



Supporting Mobility Projects from Start to Finish.

New Flyer Infrastructure Solutions™ is a service dedicated to providing safe, reliable, smart, and sustainable charging and mobility solutions.



Support

Guide mobility projects from start to finish



Optimization

Focus on maximizing energy transfer and usage



Planning

Infrastructure planning and development



Transition

Cohesive shift to zero-emission electric technology



New Flyer Infrastructure Solutions™ provides a full suite of comprehensive charging deployment services, with the ability to:



Optimize energy management strategies between grid and the bus



Oversee make-ready utility services.



Deliver onsite grid-to-bus testing and commissioning to ensure safe and reliable infrastructure.



Determine wayside and depot charging requirements.



Offer aftermarket support for service and parts.



Coordinate UL certification.



Provide design and engineering services for infrastructure.



Install chargers.



Conduct site visits.